

Welcome to the world of *Cofman*

코프맨(Cofman) 커피기계에 대한 신뢰에 깊이 감사 드립니다.

구입하신 코프맨(Cofman) 커피장비는 올바르게 사용하실 경우 매우 안전하고, 높은 신뢰도를 제공 하도록 설계되었습니다. 커피장비를 사용하시기 전에 주의 깊게 메뉴얼을 읽는 것은 편리하고 안전한 운전을 보증하며, 좋은 품질의 음료(커피)를 서비스하기 위하여 매우 중요합니다.

구입하신 커피장비는 엄격한 품질보증 시스템을 적용하여 제작되었으며, 장시간 사용하는 소비자를 위하여 편의성과 높은 내구성을 갖도록 설계된 업무(소)용 제품 입니다.

이 메뉴얼에는 설치,사용,보수,청소등 코프맨(Cofman) 커피장비에 대하여 필요한 전반적인 기술 자료를 포함하고 있습니다. 따라서 오랫동안 좋은 성능을 유지하기 위해서는, 본 메뉴얼을 숙지 하시고 필요시 참고하실 수 있도록 보관 하십시오.

만약 메뉴얼의 내용에 대해서 궁금한 사항이 있으시면, 다원식품(주) 기술팀에 연락을 주십시오.

We want to thank you for your trust in「Cofman」coffee equipments, manufactured by DAONE FOOD INC.

「Cofman」coffee equipments are designed to provide safe, durable and reliable operation if used correctly. Therefore, it is very important to read this instruction manual carefully before using the coffee equipment for the first time.

The coffee equipment which you have just bought is manufactured to strict quality control standards, and has been designed applying ergonomical principles, so that you will have no problems whatsoever using it and so that it will provide comfortable and safe operation.

In this manual you will find all the information necessary for installing, using, maintaining and cleaning your coffee equipments. Follow all of these instructions carefully to ensure a long, trouble-free life for your coffee equipment. Store this manual in a safe place for future reference.

If any problem arises or you have doubts as to the contents of this manual, please don't hesitate to consult our Technical Service Team.

상표설명 (Trademark Information)

Cofman

다원식품(주)의 등록상표입니다.
is the trademark of DAONE FOODS INC. in Korea.



다원식품(주)의 커피메이커는 [우수디자인상품]으로 선정되었습니다.
Cofmam Coffee Maker is to certify that Good Design Selection by Korean Government

PORTION CONTROL GRINDER



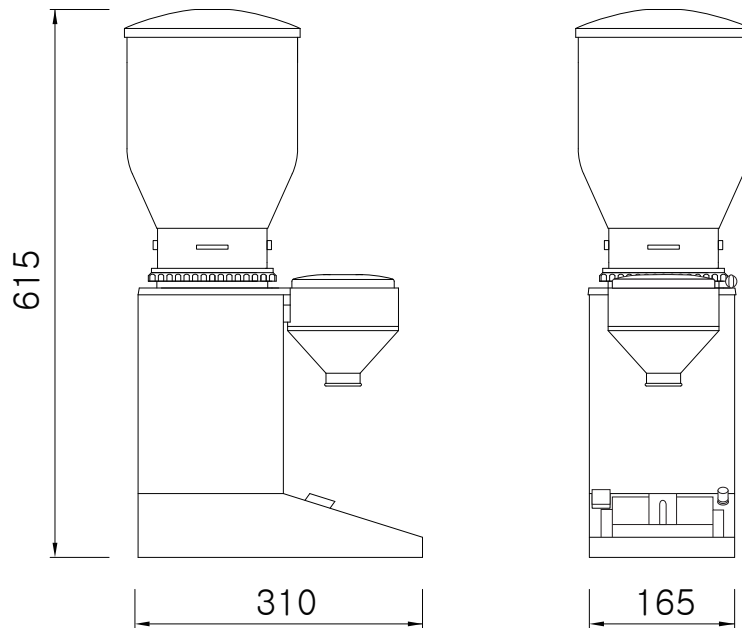
MODEL : SPACE - BLEND

- Grinder for blend coffee.
- Interface to all type of brewers.
- Portion controlled for the right amount of coffee every time.

SPACE - AUTO

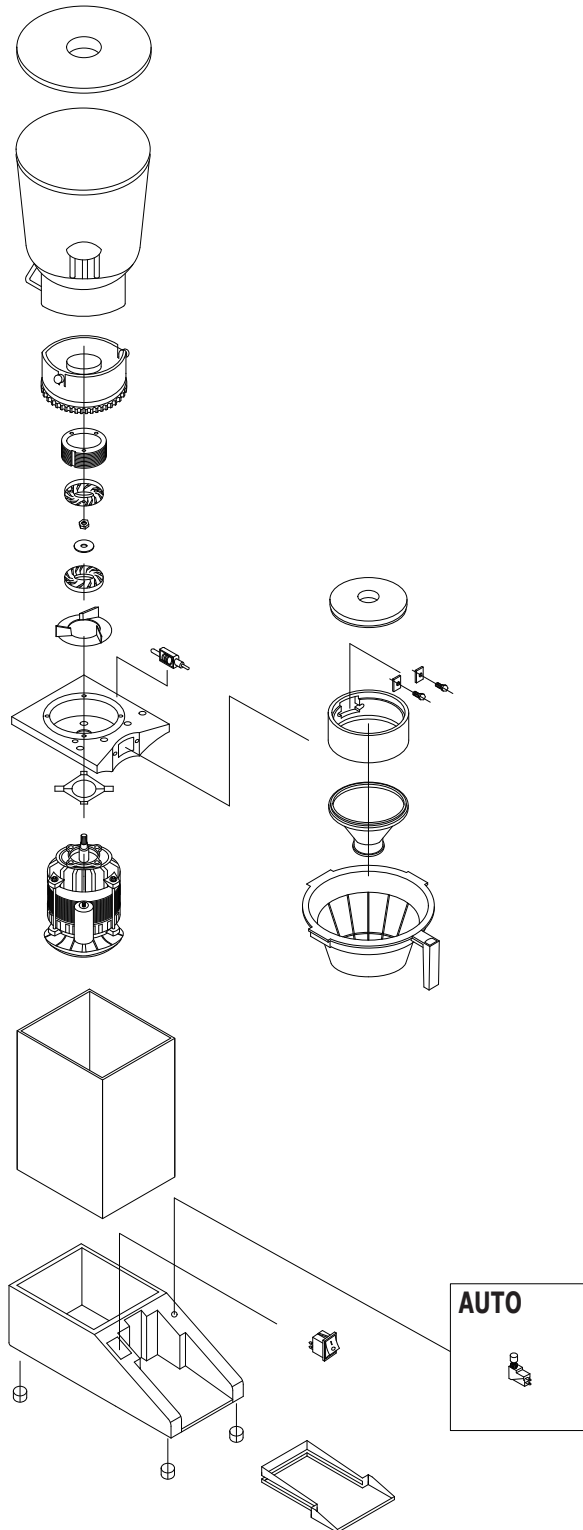
- 브랜드커피용 그라인더
- 모든 브로워에 장착가능
- 일반 매장에서 사용할 수 있도록 제조된 제품.
- 정숙한 운전

REV.	NAME	CODE
PARTS & DRAWING	DIMENSIONS & TECHNICAL DATA	03 . 00
	PART ASSEMBLY	05 . 00
	BODY	06 . 00
	ELECTRIC WIRING	12 . 00



TECHNICAL DETAILS (SPACE - BLEND / AUTO)

MODEL	: SPACE - BLEND	: SPACE - AUTO
DIMENSIONS (WxDxH)	: 210 x 355 x 650	: 210 x 355 x 650
ELECTRICAL CONNECTION	: 220V 1P 50/60Hz	: 220V 1P 50/60Hz
POWER CONSUMPTION	: 356 W	: 356 W
HOPPER CAPACITY	: 2 Kg	: 2 Kg
MAX. CONTINUOUS OPERATION TIME	: 30 Min	: 30 Min
DURATION OF GRINDING WHEELS	: 400~500Kg of COFFEE	: 400~500Kg of COFFEE
GRINDING WHEELS	: 60 ø TEMPERED STEEL	: 60 ø TEMPERED STEEL
TURN SPEED	: 1300 rpm	: 1300 rpm
WEIGHT	: 13 Kg	: 13 Kg
CONTROL	: ON-OFF	: AUTO

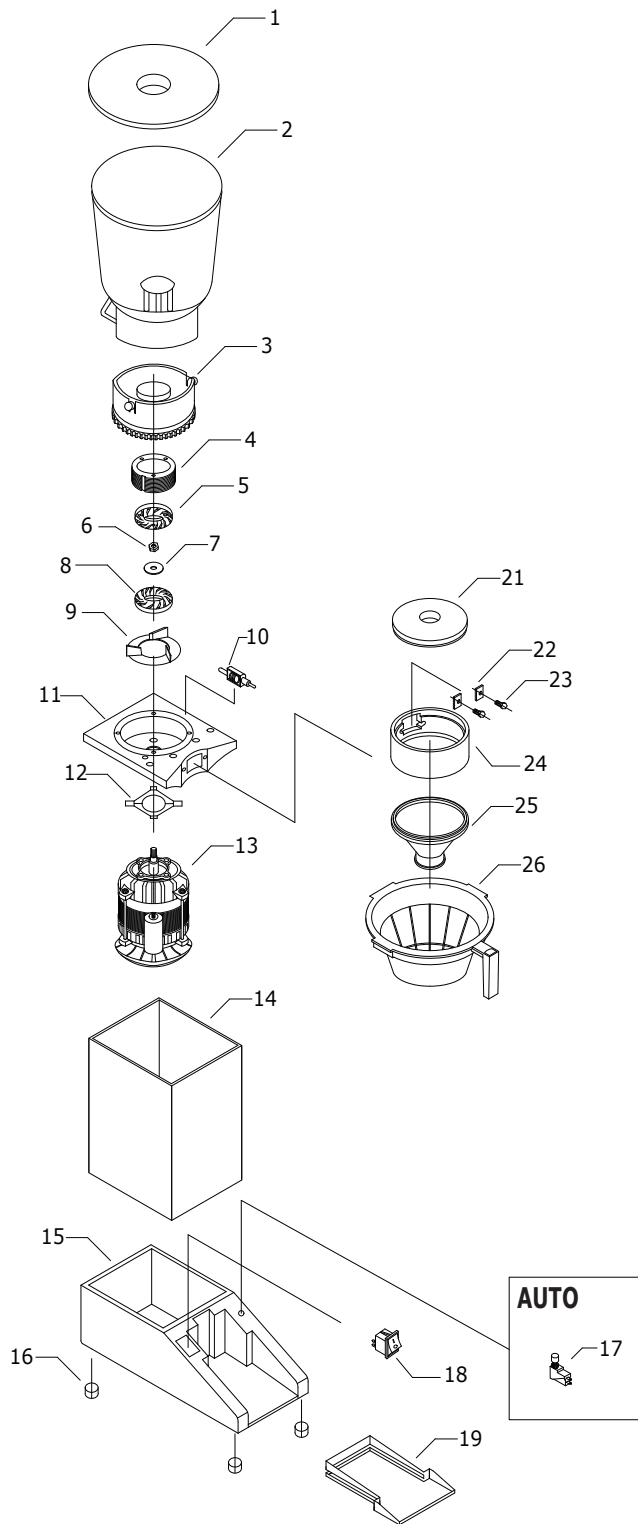


Cofman**BODY**

SPACE

06 . 00

NO	DISCRPTION	PART NO.	REMARKS
1	HOPPER COVER	93501	
2	HOPPER 2kg	93502	
3	ADJUSTMENT DISC	93506	
4	COMPLETE SET GRINDWHEEL HOUSING ASSEMBLY	93507	
5	SET OF FLAT GRINDWHEELS ϕ 60mm	93508	
6	NUT LOWER GRINDWHEEL - HOLDER	93532	
7	WASHER LOWER GRINDWHEEL- HOLDER TEMPERED	93533	
8	SET OF FLAT GRINDWHEELS ϕ 60mm	93508	
9	EXPELLER IN METAL + DISC	93534	
10	GRINDWHEELS ADJUSTMENT PAWL	93512	
11	UPPER CASSING , AL	93517	
13	MOTER BODY ASSEMBLY	93516	
14	BODY, INOX	93517	
15	BASE IN ABS	93521	
16	RECTANGULAR RUBBER FOOT		
17	TIMER S/W	87450	
18	POWER S/W	93518	
19	TRAY		
21	STANDARD DISPENSER COVER	93569	
24	DISPENSER RING	93570	
25	BAG-HOLDER FUNNEL	93571	
26	COFFEE BASKET	84401	
	OUT BOX	80360	



Cofman

ELECTRIC COMPONENTS

SPACE

12 . 00

COMPONENT	PART NO.	MODEL	TESTED BY
POWER S/W (SA 15A 250V)	87412	NRTL/C	KS
TIMER S/W (YONGSUNG 15A 250V)	87450	YSP9S-15C	KS
TIMER (DAEIL 220V 1MIN)	87229	DTM-4	KS
RELAY (GSR 5A 250V)	87225	GPM2L	UL
CONDENSER (10 μ F 220V 50Hz)	87268	CUNILL	
MOTOR BODY ASSEMBLY	87265	CUNILL	